

Material Transfer Device

Cedarapids® MS2



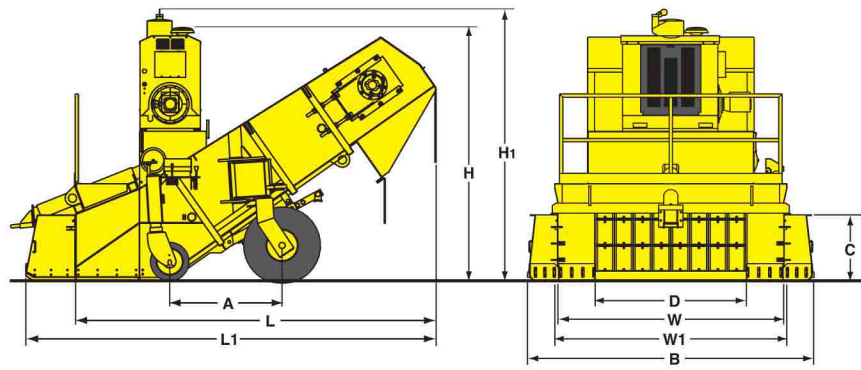
KEY FEATURES

- 121 hp Cummins Tier 4F diesel engine
- Non-stop paving for windrow applications
- Production rates reaching 1320 TBH (1199 t/hr)
- Transportable on 8 ft trailer
- Simple design lowers operating costs
- Railed walkway for safe, convenient operator service access
- Fewer moving parts minimizes downtime
- Hydraulically driven, reversible elevator to clear obstructions
- Available hopper inserts improve paving efficiencies
- Variable hydrostatic drive
- Remote control ready



Technical Specifications

Cedarapids® MS2



Standard Equipment

- Cummins QSB4.5 Tier 4F engine
- Dual elevator roller chains with bolt-on flights
- Variable hydrostatic drive
- Two planetary gear boxes and drive mount motors on head shaft
- High alloy cast floor liners
- Segmented head shaft sprockets and tail shaft idlers
- Reversible elevator to clear obstructions
- Double seal on head shaft gearbox
- Adjustable front scraper blade
- Rear wheel width allows loading on an 8 ft (2400 mm) trailer
- Hydraulic front leveling
- Three-point suspension
- Front and rear heavy-duty pivots
- Solid rubber front tires
- Pneumatic rear tires
- Telescoping quick-tach paver attachment
- Pintle hook with telescoping pull hitch
- Removable elevator rear-discharge hood
- Engine instrumentation at ground level
- Operator controls on both sides

Optional Equipment

- Diesel spray-down hose reel
- Lower hopper insert for paver
- Radio remote control

Dimensions in inches (mm)

	A	B	C	D	H	H ₁	L	L ₁	W	W ₁
MS2	53 (1348)	124 (3150)	31 (789)	60 (1524)	119 (3031)	128 (3251)	170 (4320)	194 (4917)	95 (2413)	102 (2591)

Technical Data

Weights

Weightlbs (kg)
Capacity (max theoretical)TPH (t/hr)

Engine

Manufacture
Tier Compliance
Performancehp (kW)
Speedrpm
ElectricalV

Elevator

Width in (mm)
Flight construction
Flight size in (mm)
Roller chain type
Roller chain pitch in (mm)
High alloy cast floor liner thickness in (mm)

Tires

Front (2) in (mm)
Rear (2) in (mm)

Capacities

Diesel fuel gal (l)
Hydraulic oil gal (l)
Cooling system gal (l)

Technical modifications reserved. Machines may be shown with options.

BOMAG MS2

14500 (6577)
1320 (1199)

Cummins QSB4.5
Tier 4 Final
121 (90)
2200
12

60 (1524)
Bolt-on
6 x 4 x 0.5 (152 x 102 x 13)
B1
5.51 (140)
0.375 (10)

18 x 9 (457 x 229) solid
8.25 x 15 (210 x 381) 14-ply

55 (208)
43 (163)
7.1 (27)